



Wet Pillar Hydrant Model: PH1002

General Description

Rapidrop Wet Pillar Hydrants are for areas which does not experience freezing weather conditions. Wet Pillar Hydrants are easy to install, supplied with 2 Rapidrop Oblique Landing Valves (HV 005) Kitemark approved factory installed.

Inlet

4" PN16 Flange

Outlet

2 x HV005 – Kitemark Approved Oblique Landing Valve with female instantaneous BS 336 connection.

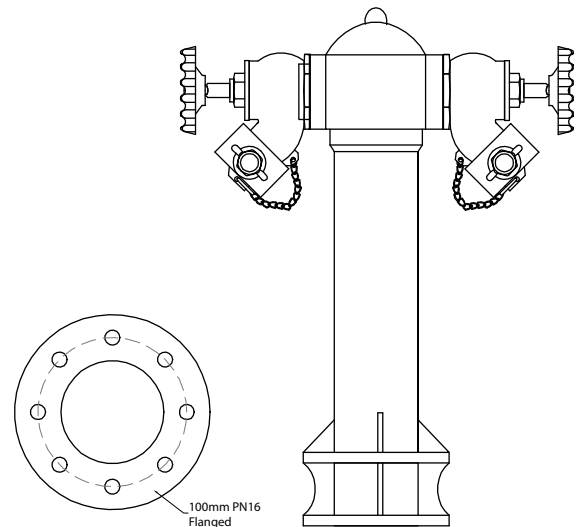
Material

Cast Iron to BS 1452

Working Pressure

Max. working pressure 15 Bar (220 psi)

Max. test pressure 22.5 Bar (325 psi)



Important Installation Information

- Rapidrop Wet Pillar Hydrants must only be installed by a competent person in accordance with requirements of the local authority having jurisdiction. Deviations from these standards will invalidate warranty.
- It is the responsibility of the installing contractor to include a copy of this document in the sprinkler system installation, operating and maintenance manual.
- Alterations to Rapidrop products will void any warranty.
- Wet Pillar Hydrants should be inspected and maintained during routine sprinkler system inspections by a competent person in accordance with national codes/requirements.
- Failure to follow these instructions could cause improper operation, resulting in personal injury and/or property damage.
- For further details and technical support please contact your Rapidrop sales representative.